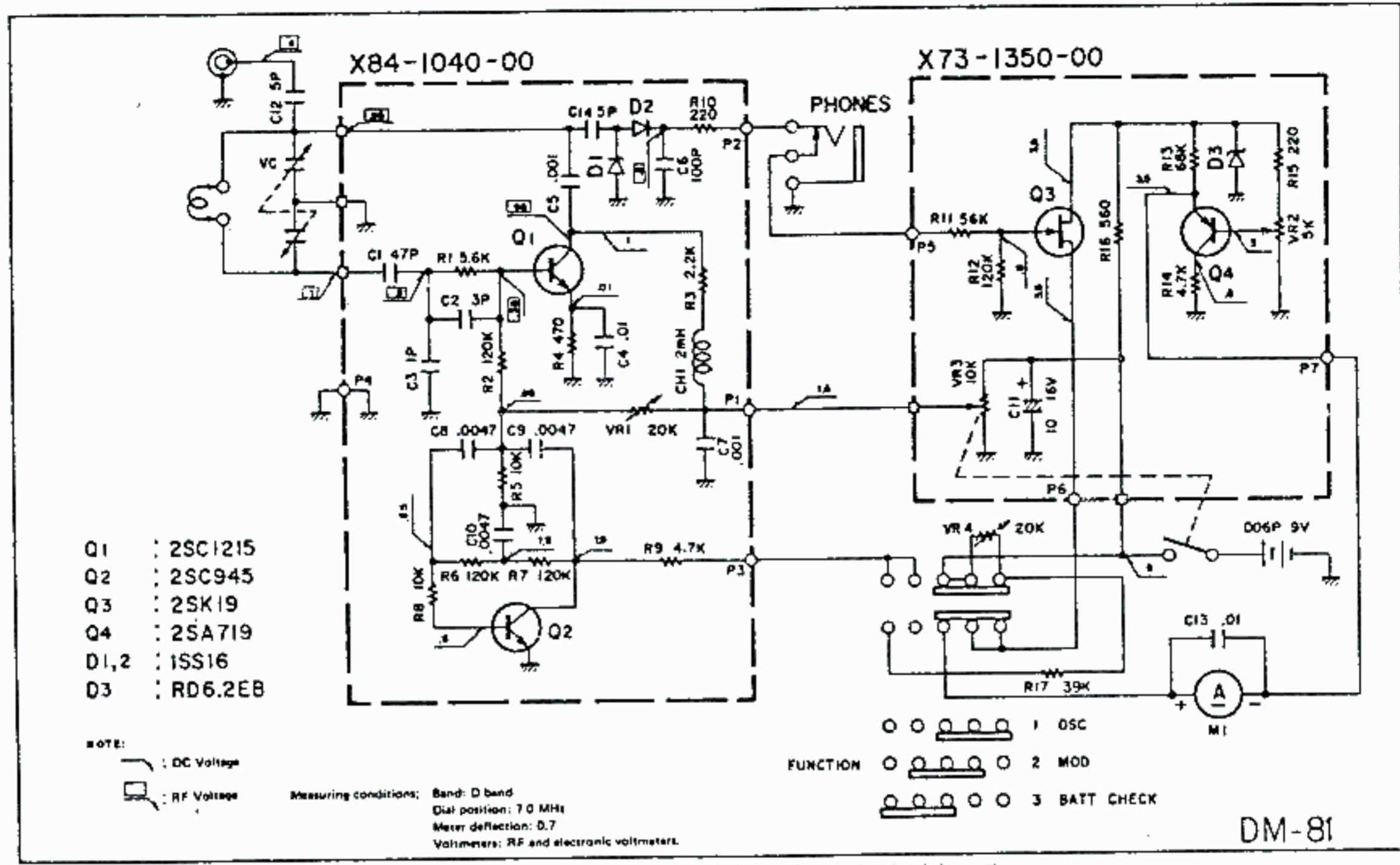


A

B

C

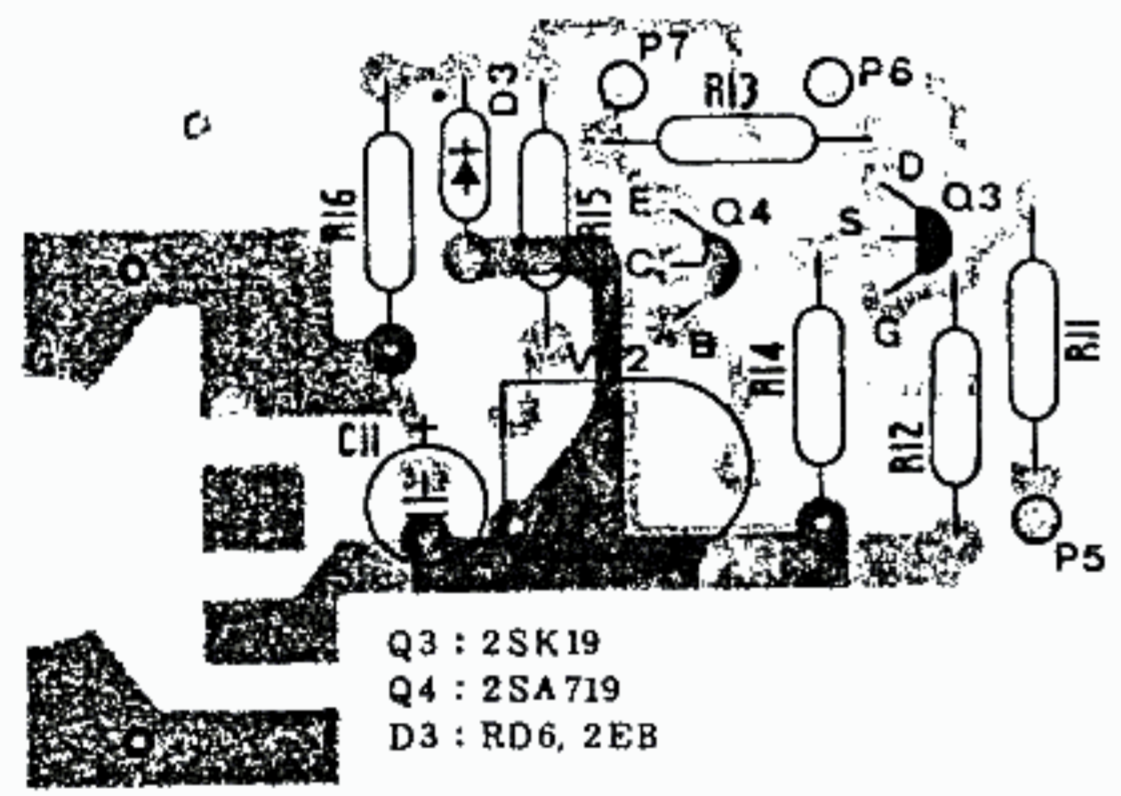
D



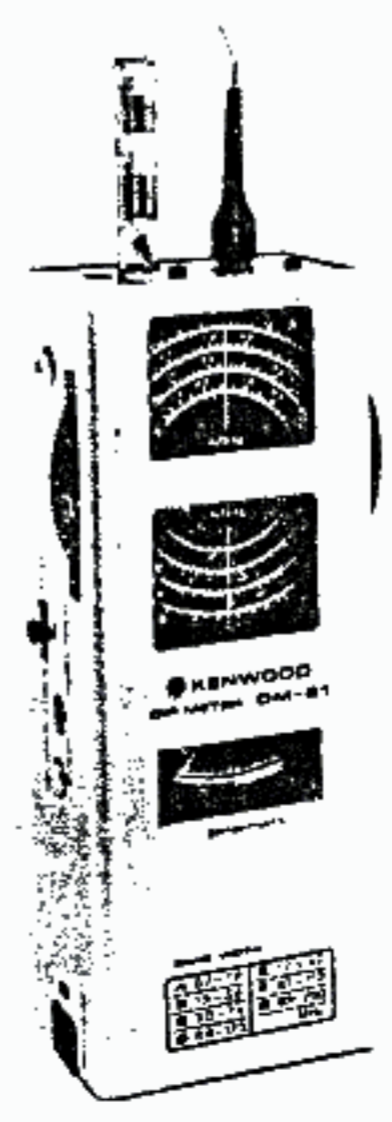
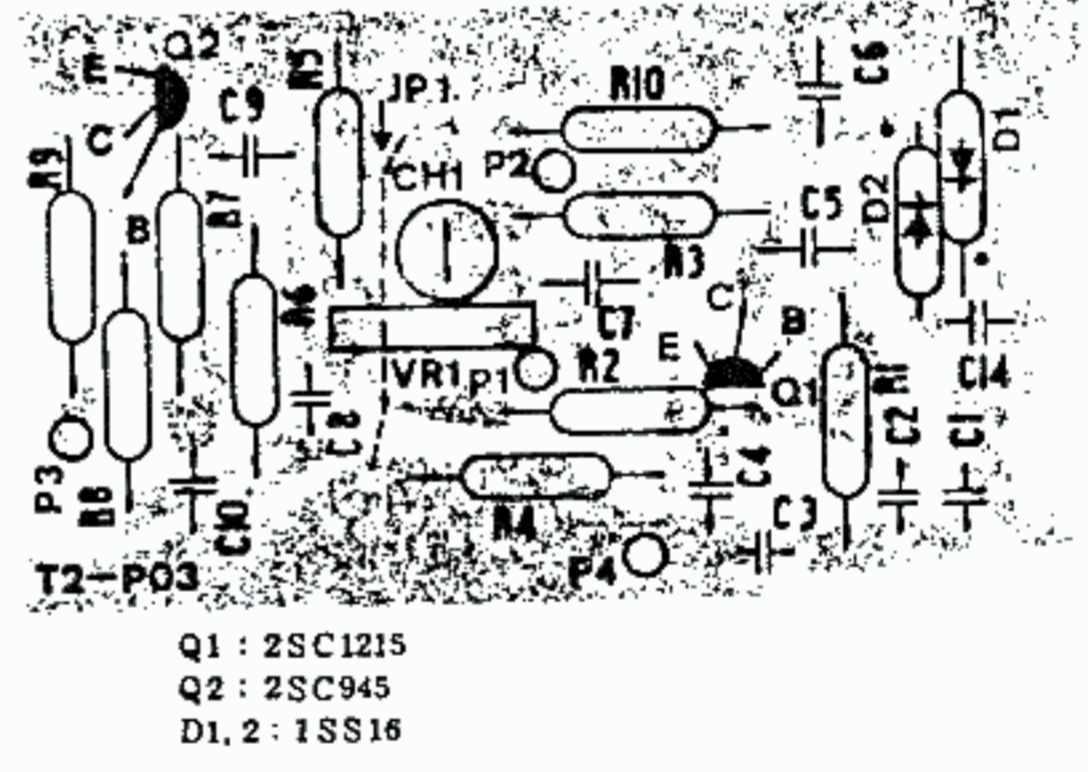
Resistor with no specified value are those of 1/4W and ± 5%. Also, the circuit elements may be changed without notice owing to a technical innovation.

SCHEMATHEEK
 Beh. T. Hultermans
 Postbus 4228
 5004 EE Eindhoven

AMP UNIT
 (X73-1350-00)



HIGH FREQUENCY UNIT
 (X84-1040-00)



DM-81
KENWOOD